

# EQUIP SERIES HBW4GR1Y



## 4MP Network TDN Ultra Low-light WDR IR Rugged Bullet Cameras



OPERATIONAL		NETWORK	
Video Standard	NTSC / PAL	Ethernet	RJ-45 (10 / 100 Base-T)
Scanning System	Progressive	Supported Web Browsers	IE, Chrome, Firefox
Image Sensor	1/3" 4 Megapixel progressive scan CMOS	Supported OS	Windows® 7 32-bit/64-bit; Windows® 10 32-bit/64-bit
Number Of Pixels(H x V)	4MP (2560 x 1440 / 2688 x 1520)	Supported Protocols*	HTTP; HTTPS; TCP; ARP; RTSP; RTP; UDP; SMTP; SFTP; NAS; DHCP; DNS; PPPOE; IPv4/v6; QoS; UPnP; NTP; Bonjour; 802.1x; Multicast; ICMP; SNMP
Minimum Illumination	0.002 Lux (color), 0.0002 Lux (B/W) @ F1.6, 0 Lux (IR on)	Interoperability	ONVIF Profile S, G and Q and T
S/N Ratio	>50 dB	Maximum Users Access	20 users
Electronic Shutter Speed	Auto/Manual, 1/3 ~1/100000s	Security	User account and password protection HTTPS, IP Filter, IEEE 802.1x, Digest authentication, User access log, TLS1.2, AES-256, SSH/Telnet closed, FTP disabled, PCI-DSS compliance
IR Distance	60m	Built-In Alarm & Event	Event Type: Motion Detection / Video Tampering / Scene Changing / SD Card Error / SD Card Capacity Warning / Audio Detection / Face Detection / People Counting / IVS Event Linkage: Recording on SD card, Relay output, Email, Snapshot Event Output: ONVIF
IR Light Control	Auto / Manual / Zoom Priority / Off	Micro SD	Micro SD card up to 256 GB
IR Light Number	4	Micro SD Function	Event trigger recording Continuous and scheduled recording Auto-matic recording when network fails
Day/Night	Auto(ICR)/Color/B/W	Languages Supported	English, Arabic, Czech, Dutch, French, German, Italian, Japanese, Korean, Polish, Portuguese, Russian, Simplified Chinese, Spanish, Turkish
Backlight Compensation	BLC / HLC / WDR / SAC	ELECTRICAL	
Wide Dynamic Range (WDR)	140 dB	Power Supply	PoE+ (802.3 at) Class 4 / 12 VDC / 24 VAC
White Balance	Auto/Natural/Street Lamp/Outdoor/Manual/Customize Region	Power Consumption	Max 24W (Heater On)
Gain Control	Auto/Manual	Power Output	2.0W, DC1.2V (+/-5%)
Noise Reduction	3DNR	Ac Frequency	50/60 HZ
Privacy Masking	4 configurable windows	MECHANICAL	
Defog	Auto/Manual/Off	Dimensions	281.0 mm x 110.0 mm(11.1" x 4.3")
Lens	2.7-13.5 mm MFZ, DC IRIS, optical zoom 5x lens F1.6	Product Weight	2.15 kg (4.74 lb)
Angle Of View	H: 103° - 34°, V: 54° - 18°	Package Weight	2.84 kg (6.26 lb)
Audio/Two-Way	Line In/Out	Construction	Die-cast aluminum housing with powder coat
Alarm Input/Output	2 In / 1 Out	Construction Color	RAL 9003 (White) and RAL 7022 (Grey)
Analog Output Support	Twin outputs (for adjustment only)	ENVIRONMENTAL	
VIDEO		Operating Temperature	-40°F to 140°F (-40°C to 60°C)
Video Compression	H.265, H.264, Smart codec; MJPEG	Relative Humidity	0% to 95% (non-condensing)
Resolution	Main Stream	Gore Vents	Yes
	Sub Stream 1	Ingress Protection	IP 67
	Sub Stream 2	Impact Resistance	IK 10
Frame Rate	Main Stream: 4M (1~30 fps) Sub Stream: D1 (1~30 fps) Third Stream: 4M (1~30 fps) Simultaneous with 3 Streams above	Gore Vents	Yes
Bit Rate	96K~8192 Kbps	Heater	Supported
Analytics	Advanced Analytics (Powered by AI): Tripwire, Intrusion, Fast-Moving, Abandoned Object, Parking Detection, Crowd Gathering Estimation, Missing Object, Loitering Detection, SMD, Face Detection, People Counting, Heatmap  Traditional Analytics: Motion Detection, Video Tampering, Scene Changing, SD Card Error, SD Card Capacity Warning, Audio Detection	REGULATORY	
AUDIO		Emissions	FCC Part 15, CE (EN 55032); Complies with RCM; Complies with UKCA
Audio Compression	G.711a / G.711Mu / AAC / G.726	Immunity	CE (EN 50130-4); Complies with UKCA
Audio Stream	Full duplex, simplex	Safety	North America UL Listed to UL/CSA 62368-1, CE (EN 62368-1); Complies with UKCA
Audio Interface	1 In; 1 Out	RoHS	IEC 63000

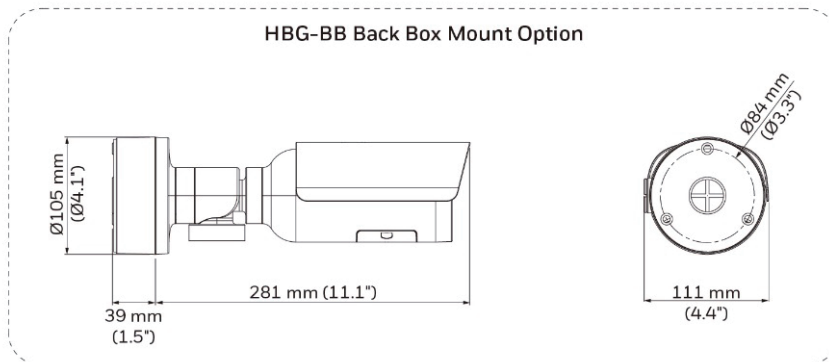
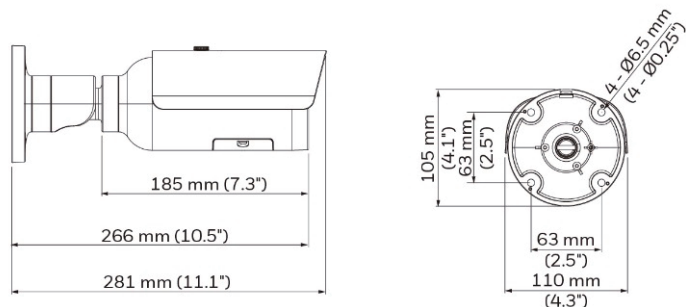
\*Some development may be required in specific user cases to support some of these protocols in the field as they mature over time.

# EQUIP SERIES 4MP NETWORK TDN ULTRA LOW-LIGHT WDR IR RUGGED BULLET CAMERAS

SYSTEM COMPATIBILITY		OPTIONAL MOUNTS AND ACCESSORIES	
Pro-Watch NVR	Up to 256 IP Channels RAID5/6 Enterprise NVR	HA60PLMZ	Pole Mount Adapter
Maxpro NVR PE	Up to 128 IP Channels Raid5/6 Enterprise NVR	HA60CNMZ	Corner Mount Adapter
Maxpro NVR SE	Up to 64 IP Channels System NVR	HBG-BB	IP66 Back Box with Gasket(for Cable Termination)
Maxpro NVR XE	Up to 16 IP Channels System NVR	HPOE3X	3X POE Switch
Maxpro NVR Software	Up to 128 IP Channels Recording Software	HLR1001	IP over Coax Converter
Adpro NVR iFT-E	Up to 32 IP Channels with up to 32 VA Channels NVRs		
Adpro NVR iFT	Up to 32 IP Channels or 16 IP Channels With up to 16 VA Channels NVRs		
Adpro Nvr iFT Gateway	4 IP Channels + 4 VA Channels		
HEN*4	8/16/32/64-Channel Performance Series NVRs (H.264 and H.265)		
Honeywell DVM	Supported with Honeywell DVM R700		
HEN*3V	4/8/16 Channel Embedded NVRs		
30 Series NVR	Integration with 30 Series NVR		

ORDERING	
HBW4GR1Y	4MP Network Ultra Low-light Bullet Camera,TDN,1/3" CMOS, 2.7-13.5 mm MFZ, 140dB WDR, H.265 / Smart Codec, POE+

## DIMENSIONS



### For more information

[www.security.honeywell.com/uk](http://www.security.honeywell.com/uk)  
[www.security.honeywell.com/me](http://www.security.honeywell.com/me)

### Honeywell Commercial Security

Emaar Business Park, Sheikh Zayed Road  
 Building No. 2, 2nd floor, 201  
 Post Office Box 232362  
 Dubai, United Arab Emirates  
 Tel: +971 4 450 5800



140 Waterside Road  
 Hamilton Industrial Park  
 Leicester LE5 1TN  
 United Kingdom  
 Tel: +44 (0) 1928 378005  
[www.honeywell.com](http://www.honeywell.com)

ONVIF and the ONVIF logo are trademarks of ONVIF Inc.  
 HEVC Advance logo is a trademark of HEVC Advance  
 Honeywell reserves the right, without notification, to  
 make changes in product design or specifications.

HSV-HBW4GR1Y-01-UK(1021)DS-Y  
 © 2021 Honeywell International Inc.

