

EQUIP SERIES

H4W4GR1Y



4MP Network TDN Ultra Low-light WDR IR Rugged Dome Cameras



OPERATIONAL		
Video Standard	NTSC / PAL	
Scanning System	Progressive	
Image Sensor	1/3" 4 Megapixel progressive scan CMOS	
Number Of Pixels (H x V)	4MP (2560 x 1440 / 2688 x 1520)	
Minimum Illumination	0.002 Lux (color), 0.0002 Lux (B/W) @ F1.6, 0 Lux (IR on)	
S/N Ratio	>50 dB	
Electronic Shutter Speed	Auto/Manual, 1/3~1/100000s	
IR Distance	60m	
IR Light Control	Auto / Manual / Zoom Priority / Off	
IR Light Number	3	
Day/Night	Auto(ICR)/Color/B/W	
Backlight Compensation	BLC / HLC / WDR / SAC	
Wide Dynamic Range	140 dB	
White Balance	Auto/Natural/Street Lamp/Outdoor/Manual/Customize Region	
Gain Control	Auto/Manual	
Noise Reduction	3DNR	
Privacy Masking	4 configurable windows	
Defog	Auto/Manual/Off	
Lens	2.7-13.5 mm MFZ, DC IRIS, optical zoom 5x lens F1.6	
Angle Of View	H: 103° - 34°, V: 54° - 18°	
Alarm Input/Output	2 In / 1 Out	
Analog Output Support	Support	
VIDEO		
Video Compression	H.265, H.264, Smart codec; MJPEG	
Resolution	Main Stream	4M (2688 x 1520)/(2560 x 1440)/3M (2304 x 1296)/1080p (1920 x 1080)/1.3M (1280 x 960)/720p(1280 x 720)
	Sub Stream 1	D1(PAL:704 x 576/NTSC: 704 x 480)/VGA(640 x 480)/CIF(PAL:352 x 288 / NTSC: 352 x 240)/(320 x 180)
	Sub Stream 2	4M(2688 x 1520/2560 x 1440)/ 1080P(1920x1080)/720P(1280 x 720)/ D1(PAL:704 x 576/NTSC: 704 x 480)
Frame Rate	Main Stream: 4M(1~30 fps) Sub Stream:D1(1~30 fps) Third Stream:4M(1~30 fps) Simultaneous with 3 Streams above	
Bit Rate	96K-8192 Kbps	
Analytics	Advanced Analytics (Powered by AI) : Tripwire, Intrusion, Fast-Moving, Abandoned Object, Parking Detection, Crowd Gathering Estimation, Missing Object, Loitering Detection, SMD, Face Detection, People Counting, Heatmap Traditional Analytics: Motion Detection, Video Tampering, Scene Changing, SD Card Error, SD Card Capacity Warning, Audio Detection	
AUDIO		
Audio Compression	G.711a/ G.711Mu/ AAC/G.726	
Audio Stream	Full duplex, simplex	
Audio Interface	1 In; 1 Out	

Audio/Two-Way	Line In/Out
NETWORK	
Ethernet	RJ-45 (10/100 Base-T)
Supported Web Browsers	IE, Chrome, Firefox
Supported Os	Windows® 7 32-bit/64-bit; Windows® 10 32-bit/64-bit
Supported Protocols*	HTTP; HTTPS; TCP; ARP; RTSP; RTP; UDP; SMTP;SFTP; NAS; DHCP; DNS; PPPoE; IPv4/v6; QoS;UPnP;NTP; Bonjour; 802.1x; Multicast; ICMP;SNMP
Interoperability	ONVIF Profile S, G and Q and T
Maximum Users Access	20 users
Security	User account and password protection HTTPS, IP Filter, IEEE 802.1x, Digest authentication, User access log, TLS1.2, AES-256, SSH/Telnet closed, FTP disabled, PCI-DSS compliance
Built-In Alarm & Event	Event Type: Motion Detection/Video Tampering/Scene Changing/SD Card Error/SD Card Capacity Warning/Audio Detection/Face Detection/People Counting/IVS Event Linkage: Recording on SD card, Relay output, Email, Snapshot Event Output: ONVIF
Micro SD	Micro SD card up to256 GB
Micro SD Function	Event trigger recording Continuous and scheduled recording Automatic recording when network fails
Languages Supported	English, Arabic, Czech, Dutch, French, German,Italian, Japanese, Korean, Polish, Portuguese, Russian,Simplified Chinese, Spanish, Turkish
ELECTRICAL	
Power Supply	PoE+ (802.3 at) Class 4/12 VDC/24 VAC
Power Consumption	Max 24W (Heater On)
Power Output	2.0W , DC1.2V (+/-5%)
MECHANICAL	
Dimensions	Ø159.0 mm x 118.0 mm(Ø6.2" x 4.6")
Product Weight	1.12 kg(2.47 lb)
Package Weight	2.00 kg (4.40 lb)
Construction	Die-cast aluminum housing with powder coat
Construction Color	RAL 9003 (White)
ENVIRONMENTAL	
Operating Temperature	-40°F to 140°F (-40°C to 60°C)
Relative Humidity	0% to 95%, non-condensing
Ingress Protection	IP67
Impact Resistance	IK10
Gore Vents	Yes
Heater	Supported
REGULATORY	
Emissions	FCC Part 15, CE (EN 55032); Complies with RCM; Complies with UKCA
Immunity	CE (EN 50130-4); Complies with UKCA
Safety	North America UL Listed to UL/CSA 62368-1, CE (EN 62368-1); Complies with UKCA
RoHS	Compliant

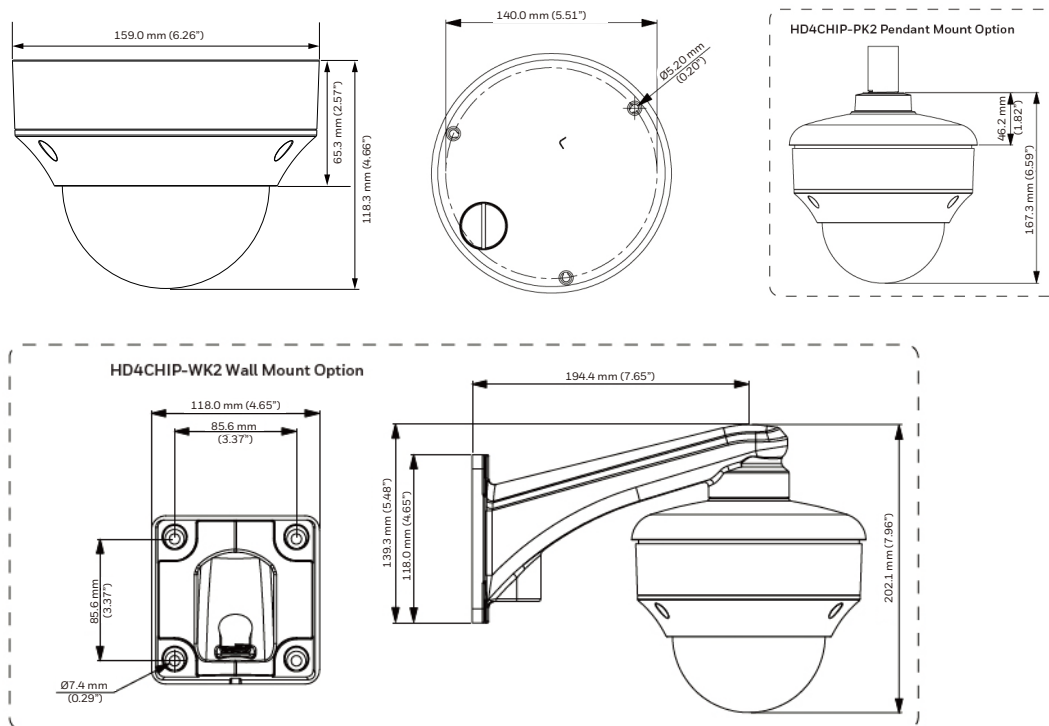
*Some development may be required for specific user cases to support some of these protocols in the field as they mature over time.

EQUIP SERIES 4MP NETWORK TDN ULTRA LOW-LIGHT WDR IR RUGGED DOME CAMERAS

SYSTEM COMPATIBILITY		OPTIONAL MOUNTS AND ACCESSORIES	
Pro-Watch NVR	Up to 256 IP Channels RAID5/6 Enterprise NVR	HA60PLMZ	Pole Mount Adapter
Maxpro NVR PE	Up to 128 IP Channels Raid5/6 Enterprise NVR	HA60CNMZ	Corner Mount Adapter
Maxpro NVR SE	Up to 64 IP Channels System NVR	HA60PMC4	Pendant Mount Adapter, NPT
Maxpro NVR XE	Up to 16 IP Channels System NVR	H4G-PK	Pendant Mount Adapter, G1.5
Maxpro NVR Software	Up to 128 IP Channels Recording Software	HA60WLM4	Wall Mount Bracket
Adpro NVR iFT-E	Up to 32 IP Channels with up to 32 VA Channels NVRs	H4G-CB	Replacement Dome (Clear)
Adpro NVR iFT	Up to 32 IP Channels or 16 IP Channels With up to 16 VA Channels NVRs	H4G-SB	Replacement Dome (Smoke)
Adpro Nvr iFT Gateway	4 IP Channels + 4 VA Channels	HPOE3X	3X POE Switch
HEN*4	8/16/32/64-Channel Performance Series NVRs (H.264 and H.265)	HLR1001	IP over Coax Converter
Honeywell DVM	Supported with Honeywell DVM R700		
HEN*3V	4/8/16 Channel Embedded NVRs		
30 Series NVR	Integration with 30 Series NVR		

ORDERING	
H4W4GR1Y	4MP Network Ultra Low-light Rugged Dome Camera, TDN, 1/3" CMOS, 2.7-13.5mm MFZ lens, 140dB WDR, H.265/ Smart Codec, POE+

DIMENSIONS



For more information

www.security.honeywell.com/uk
www.security.honeywell.com/me

Honeywell Commercial Security

Emaar Business Park, Sheikh Zayed Road
 Building No. 2, 2nd floor, 201
 Post Office Box 232362
 Dubai, United Arab Emirates
 Tel: +971 4 450 5800



140 Waterside Road
 Hamilton Industrial Park
 Leicester LE5 1TN
 United Kingdom
 Tel: +44 (0) 1928 378005
www.honeywell.com

ONVIF and the ONVIF logo are trademarks of ONVIF Inc.
 HEVC Advance logo is a trademark of HEVC Advance
 Honeywell reserves the right, without notification, to
 make changes in product design or specifications.

HSV-H4W4GR1Y-01-UK(1021)DS-Y
 © 2021 Honeywell International Inc.

Honeywell